



Picture: SL 608 Outdoor High Lifter RT

HIGHLIGHT

- 1. High Lifter option:**
Extra manual or electrical extension of the arm.
- 2. Electric rotating yoke:**
Stepless 3D movement of the arm and yoke.

SL 608 OUTDOOR SERIES

LIFTS UP TO 608 KG / 1,340 LBS.

SL 608 Outdoor series offers you more power and more options. Choose longer reach and a rotating yoke for more flexibility during installation. One man can easily handle the rotation of large glass sections and experience maximum flexibility during installation.

The 608 series is fitted with twin tires to ensure that it does not get bogged down in off-road conditions. It is front-wheel driven and fitted with wide, puncture-proof tyres to ensure unique stability driving in terrain. The lift is available in a High Lifter version for additional reach and can be fitted with an electric rotating yoke.

Customize your lift by choosing between the factory installed options available for the 608 series. This way you get the right machine for your projects.

Models: Outdoor / High Lifter / High Lifter RT / High Lifter Electric / High Lifter Electric RT

Find a product comparison overview on page 54.

 Available in all colors



EXTENSION OF ARM
UP TO 160 CM /63 IN.



LIFTING HEIGHT
UP TO 420 CM /165 IN.



Customize the lift to fit your exact needs by selecting from the options list below.

BUILD YOUR SMARTLIFT

	Standard
Foam-filled tyres	
Single Gyro	■
Electric key switch	■
White, non-marking tires	■
Special Color	■
Wireless remote	■
Manual extension (High Lifter - HL)	■
Electrical extension (High Lifter Elec. - HLE)	■
Rotating yoke RT (only HL and HLE)	■

■ Select the options you need

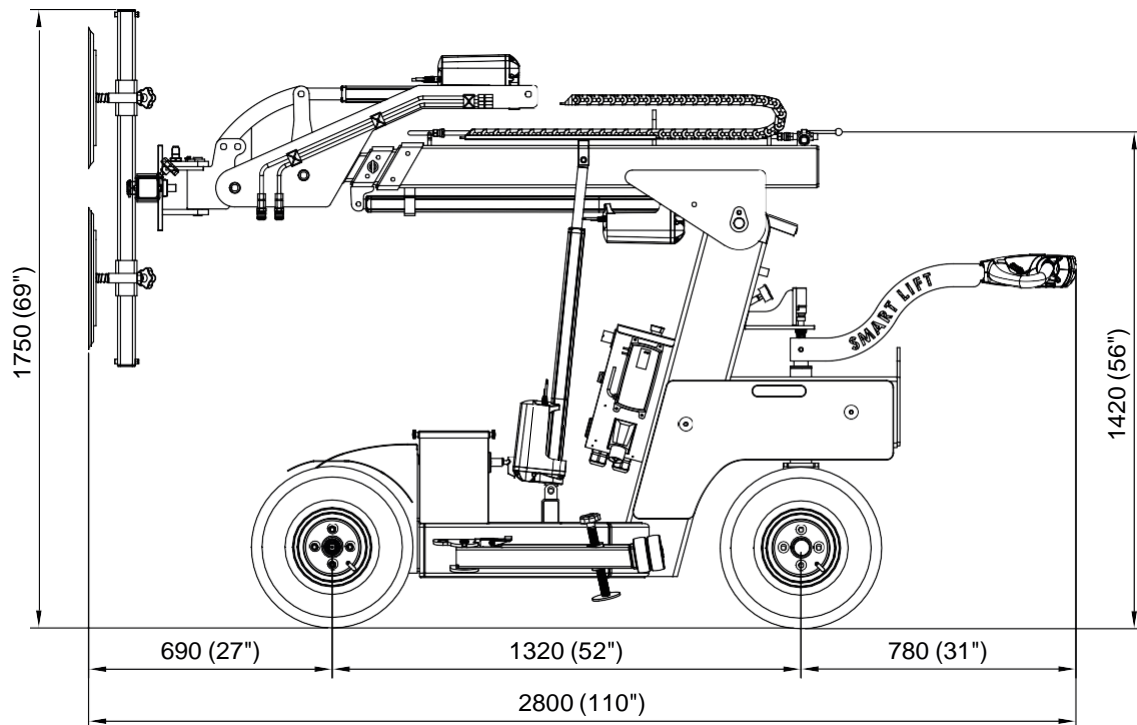
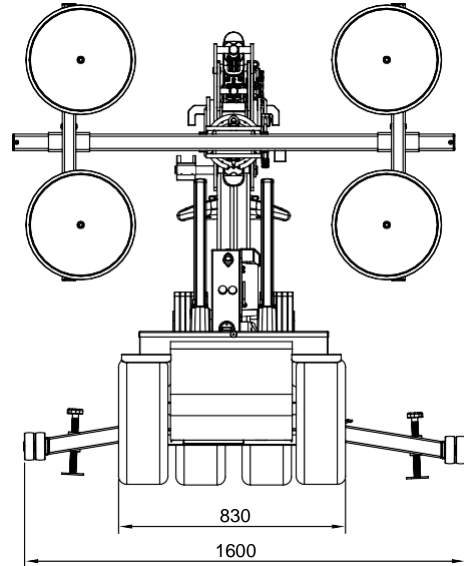


SMARTLIFT®

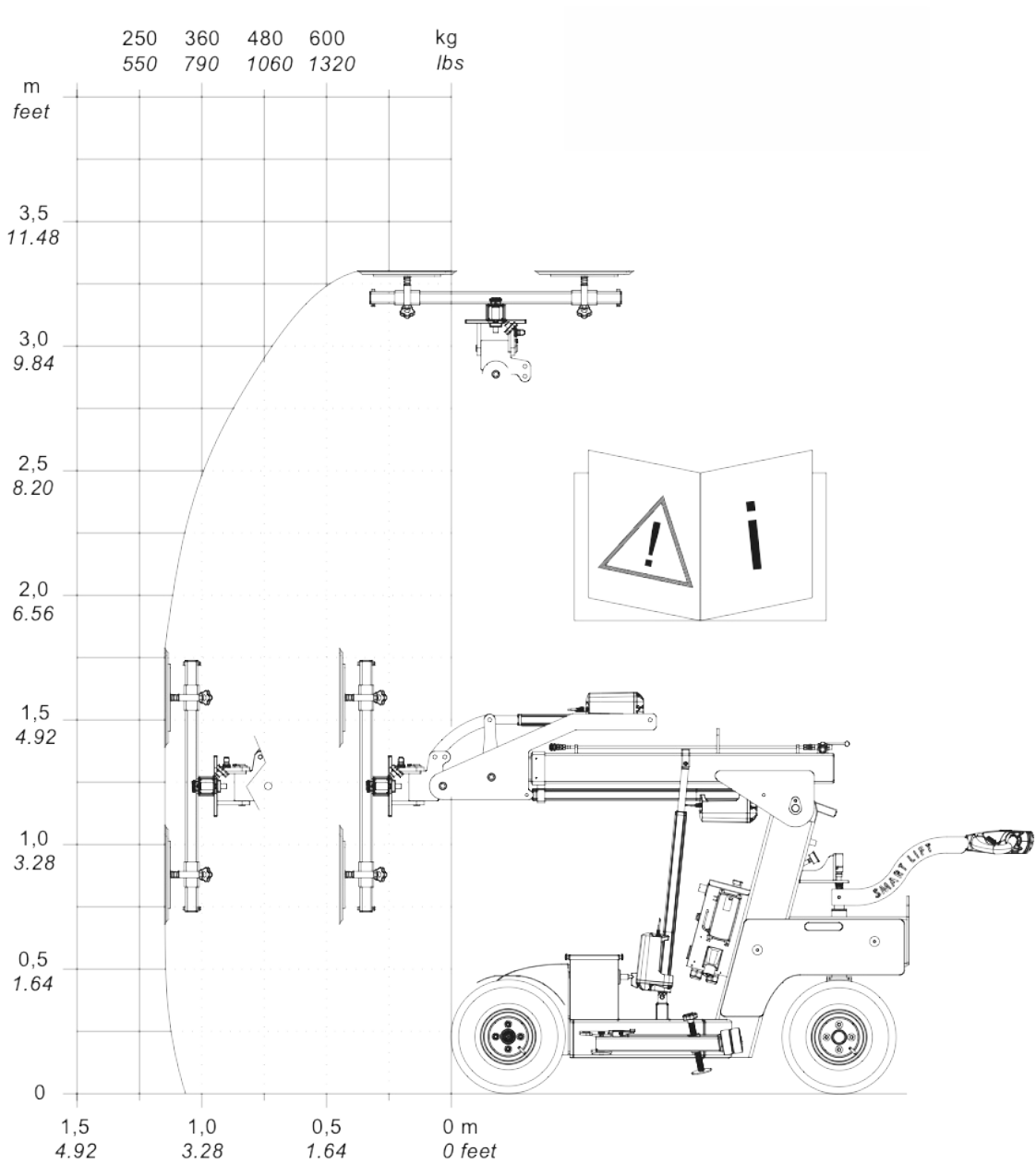
SL 608 OUTDOOR

TECHNICAL SPECIFICATIONS

Lifting cap. arm in/out	600/280 kg - 1,325/620 lbs
Lifting height	3,400 mm / 134 in
Extension of arm	700 mm / 27 in
Tip from horizontal	40° back / 100° fwd
Side shift	100 mm / 4 in
Charging voltage	230 V / 110V
Charging time	Approx. 8 hrs
Running period	Up to 8 hrs
Front-wheel drive	1200 W AC
Suction pads	4 x Ø400mm / 4 x Ø16 in
Width	830 mm / 33 in
Curb weight	900 kg / 1,985 lbs
Class	IP 65



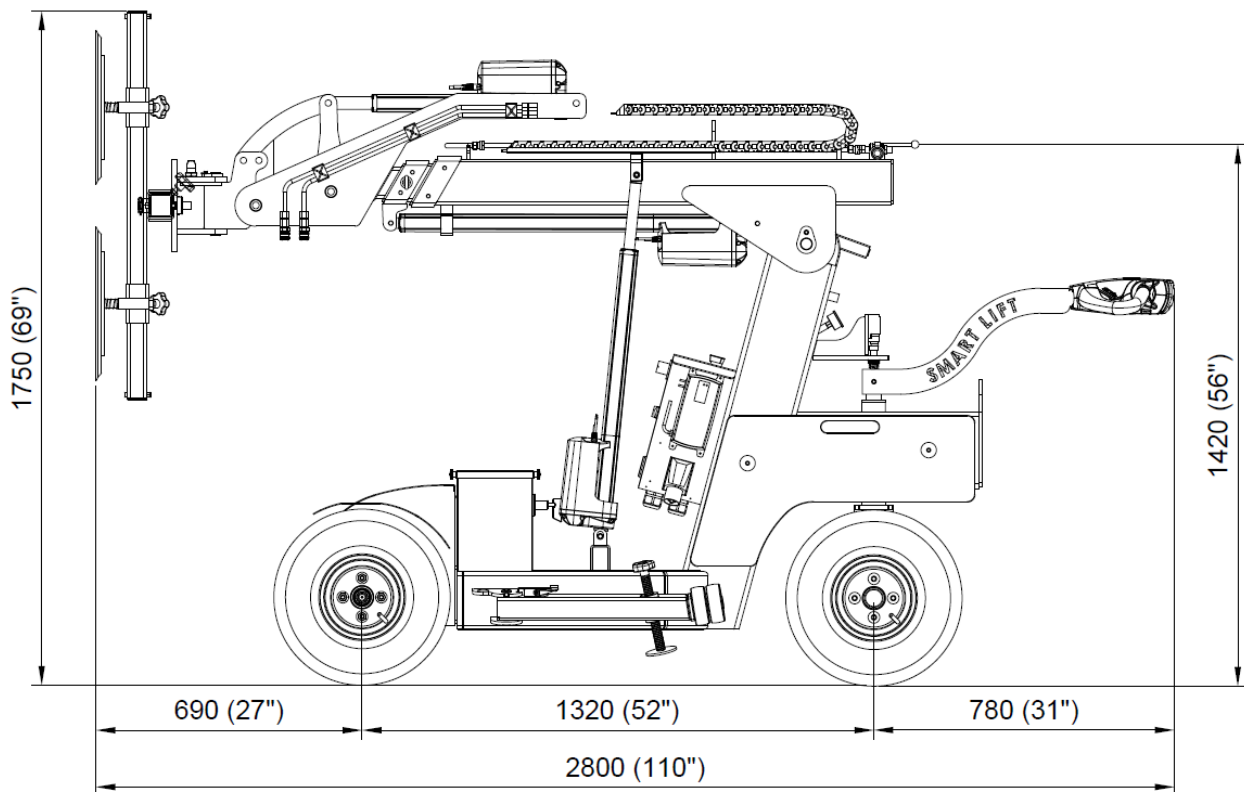
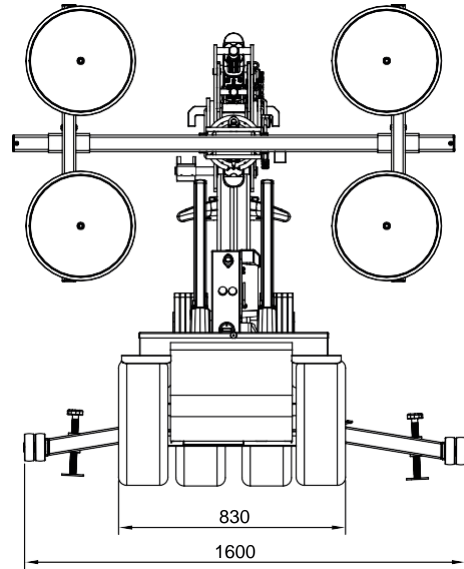
SL608 Outdoor



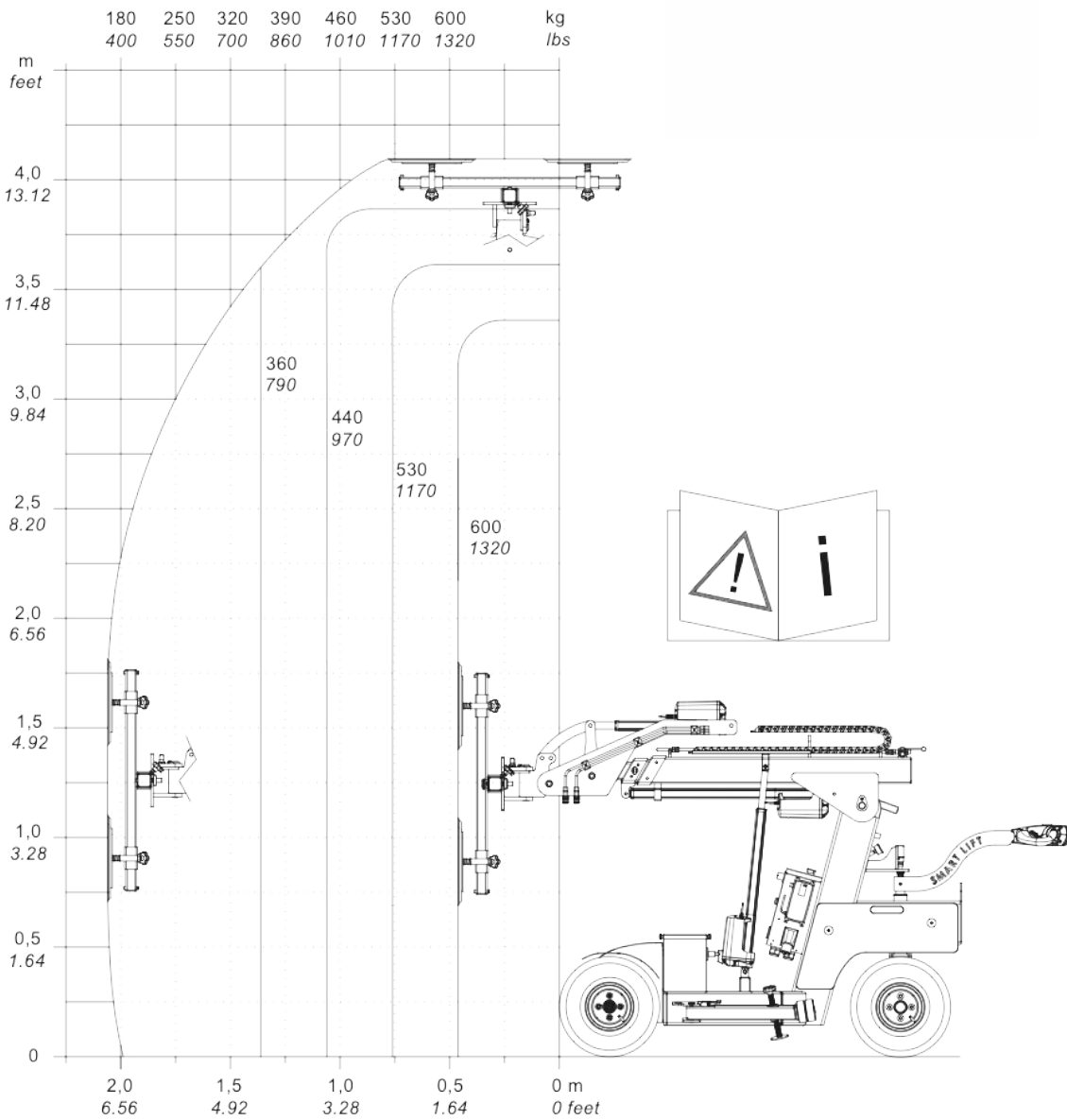
SL 608 OUTDOOR HL

TECHNICAL SPECIFICATIONS

Model	SL 608 Outdoor HL
Lifting cap. arm in/out	600/150kg - 1325/330lb
Lifting height	4200mm/165in
Extension of arm	700+900mm/12ft 2in
Tip from horizontal	40° back / 100° fwd
Side shift	100mm / 4in
Charging voltage	230 V / 110V
Charging time	Approx. 8 hrs
Running period	Up to 8 hrs
Front-wheel drive	1200 W AC
Suction pads	4 x Ø400mm / 4 x Ø16in
Width	830mm / 33in
Curb weight	920kg / 2030lb
Class	IP 65



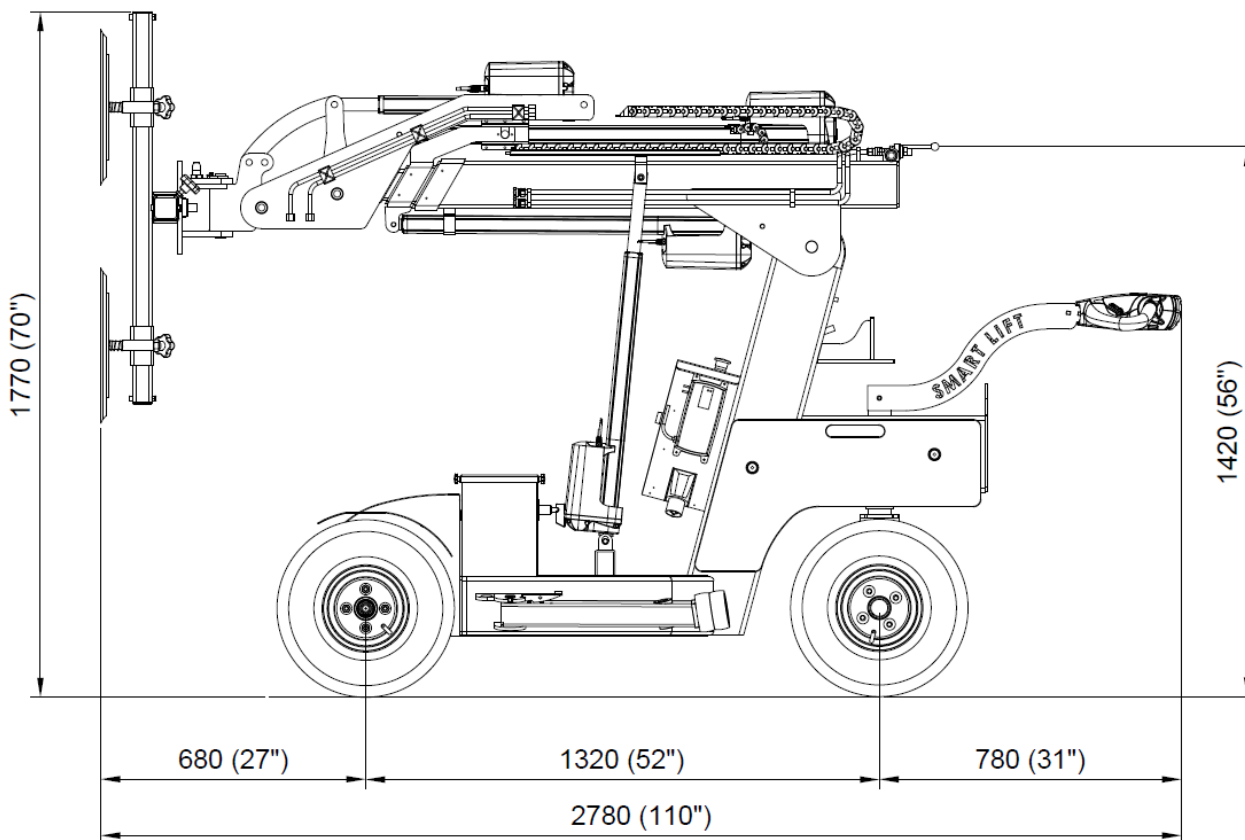
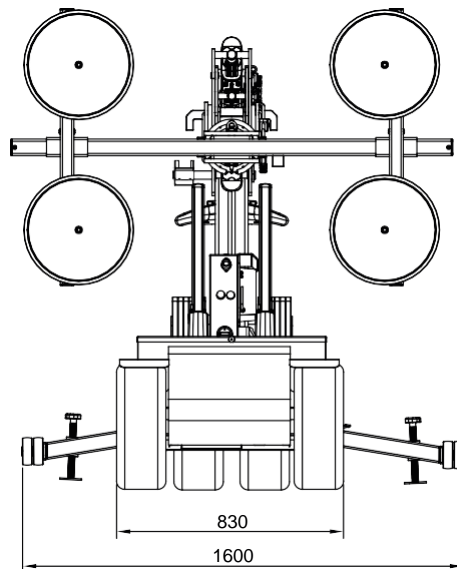
SL608 Outdoor High Lifter



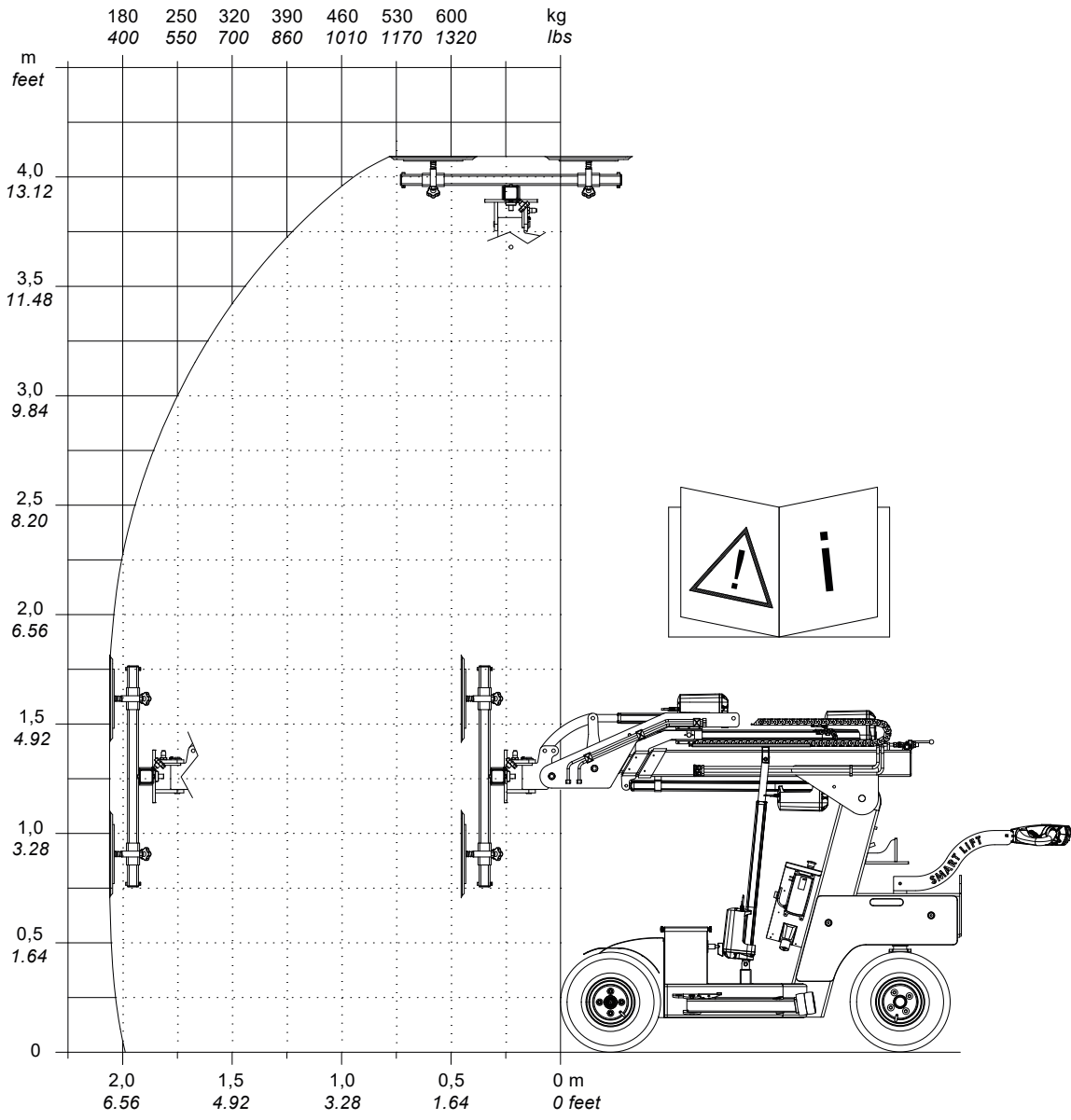
SL 608 OUTDOOR HLE

TECHNICAL SPECIFICATIONS

Model	SL 608 Outdoor HLE
Lifting cap. arm in/out	600/150kg - 1340/330lb
Lifting height	4200mm/165in
Extension of arm	700+900mm/12 ft 2in
Tip from horizontal	40° back / 100° fwd
Side shift	100mm / 4in
Charging voltage	230 V / 110V
Charging time	Approx. 8 hrs
Running period	Up to 8hrs
Front-wheel drive	1200 W AC
Suction pads	4 x Ø400mm / 4 x Ø16in
Width	830mm / 33in
Curb weight	930kg / 2050lb
Class	IP 65



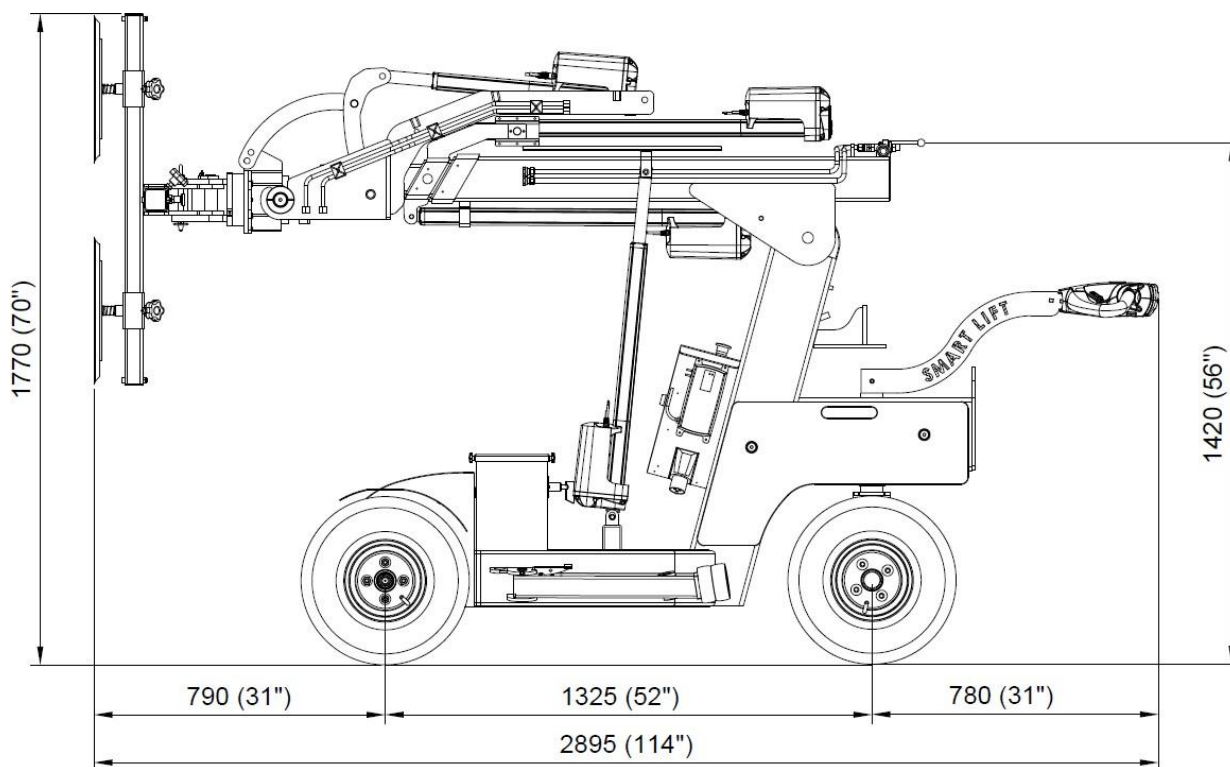
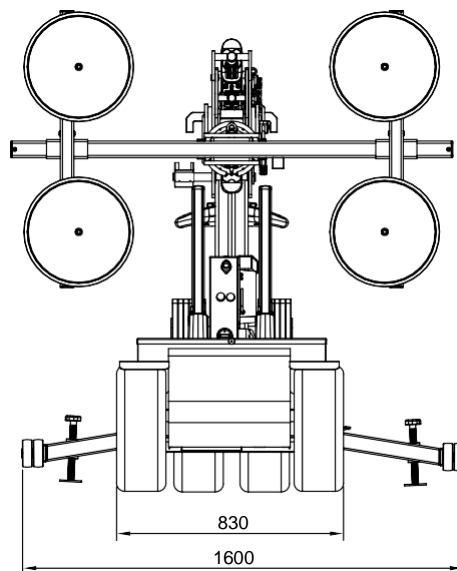
SL608 Outdoor High Lifter Electric



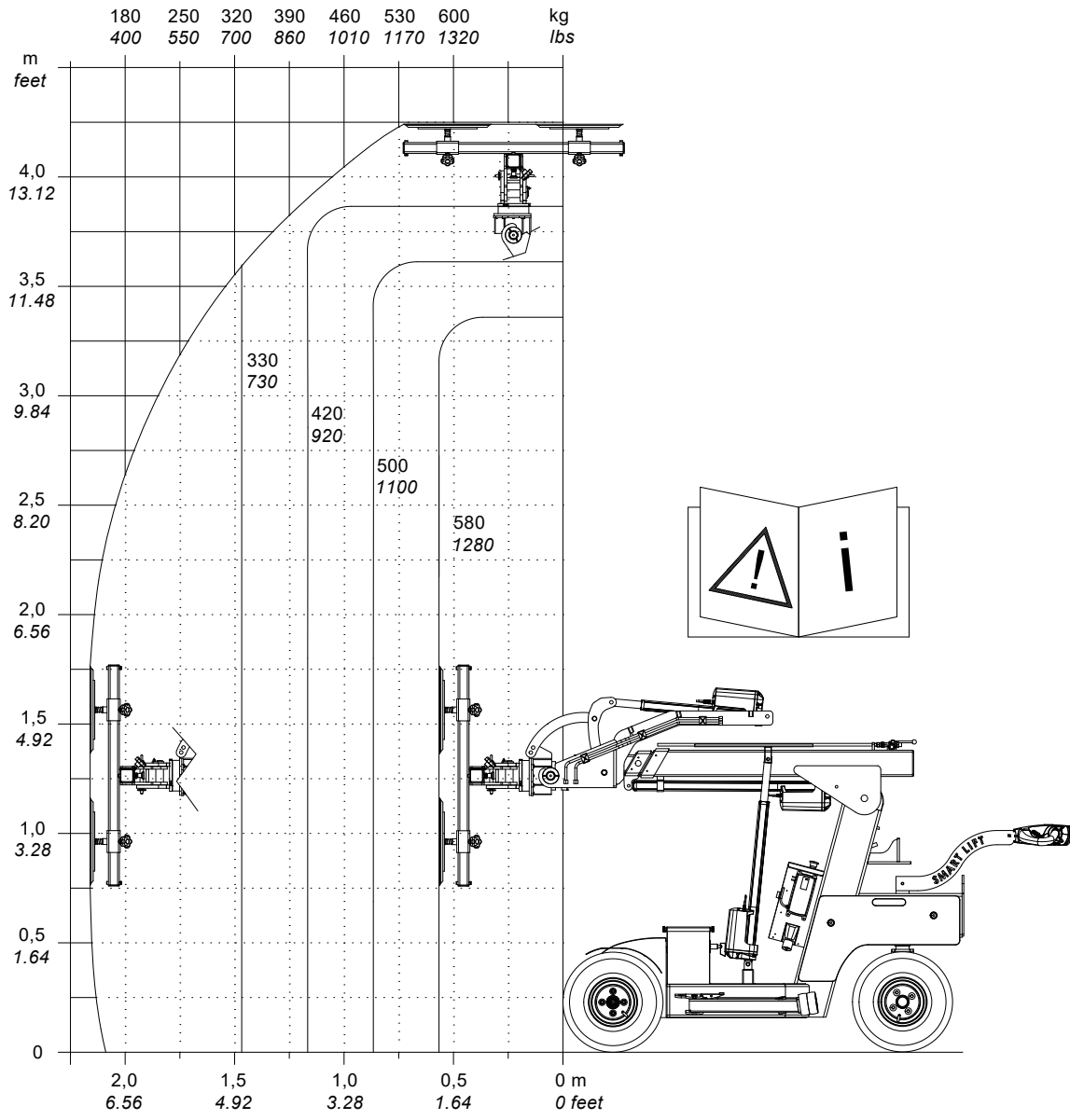
SL 608 OUTDOOR HL RT

TECHNICAL SPECIFICATIONS

Lifting cap. arm in/out	600/150 kg - 1,325/330 lbs
Lifting height	4,200 mm / 165 in
Extension of arm	700 + 900 mm / 27 + 36 in
Tip from horizontal	40° back / 100° fwd
Side shift	100 mm / 4 in
Charging voltage	230 V / 110 V
Charging time	Approx. 8 hrs
Running period	Up to 8 hrs
Front-wheel drive	1200 W AC
Suction pads	4 x Ø400mm / 4 x Ø16 in
Width	830 mm / 33 in
Curb weight	950 kg / 2,095 lbs
Class	IP 65



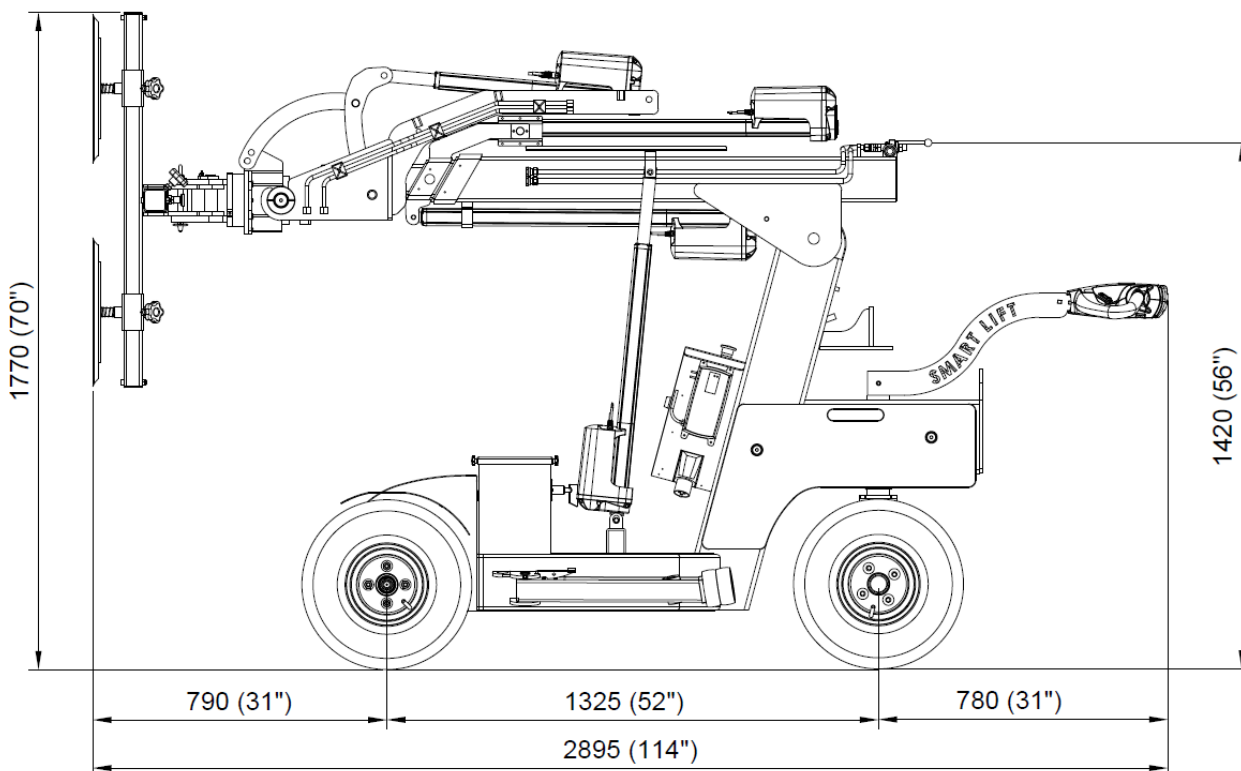
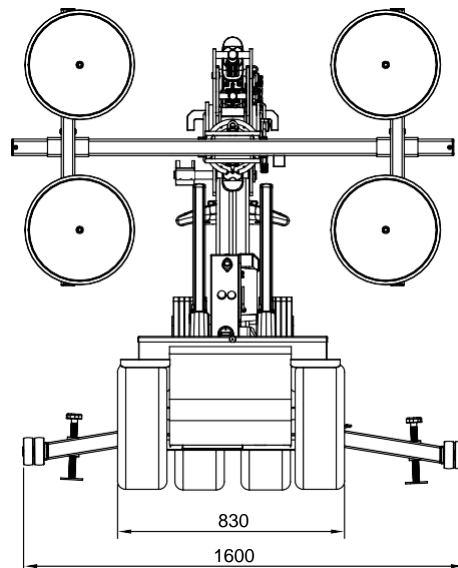
SL608 Outdoor High Lifter Rotation



SL 608 OUTDOOR HLE RT

TECHNICAL SPECIFICATIONS

Model	SL 608 Outdoor HLE RT
Lifting cap. arm in/out	600/150kg - 1340/330lb
Lifting height	4200mm/165in
Extension of arm	700+900mm/12ft 2in
Tip from horizontal	40° back / 100° fwd
Side shift	100mm / 4in
Charging voltage	230 V / 110V
Charging time	Approx. 8 hrs
Running period	Up to 8 hrs
Front-wheel drive	1200 W AC
Suction pads	4 x Ø400mm / 4 x Ø16in
Width	830mm / 33in
Curb weight	960kg / 2120lb
Class	IP 65



SL608 Outdoor High Lifter Electric RT

